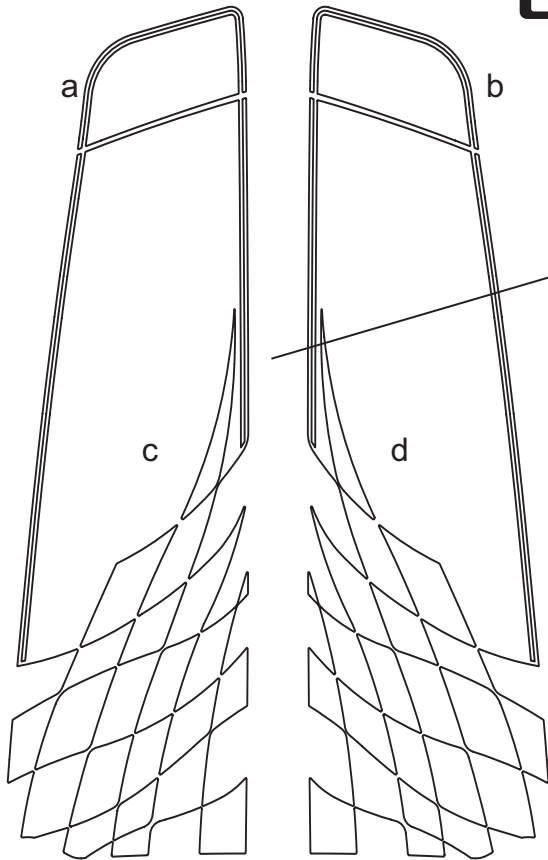


CHEVROLET®

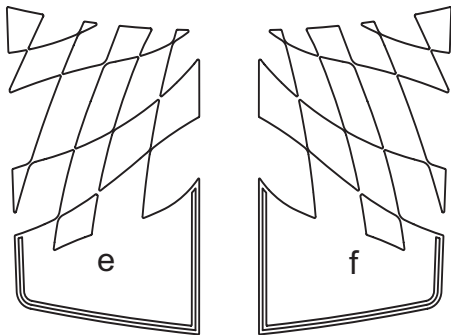
CAMARO

"Instigator" Rally Stripe Graphic Kit 1 for
Chevrolet Camaro - LS/LT - Parts List
ATD-CHVCMROGRPH39

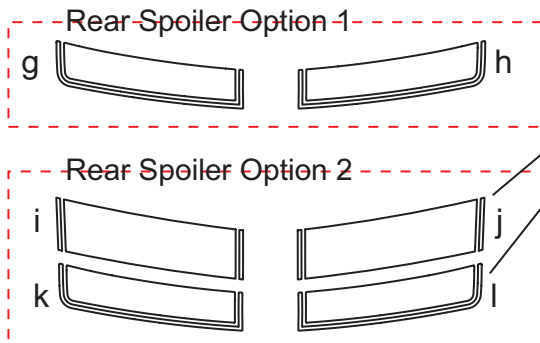


3" (7.62cm) spacing

Note: Spacing of Rally Stripes as shown shall be performed at time of installation. Kit does not come pre-spaced.



| Part Number | Item | Cost |
|--------------------|---------------------------------------|----------|
| ATD-CHVCMROGRPH39a | Header Left | \$11.95 |
| ATD-CHVCMROGRPH39b | Header Right | \$11.95 |
| ATD-CHVCMROGRPH39c | Hood Left | \$104.95 |
| ATD-CHVCMROGRPH39d | Hood Right | \$104.95 |
| ATD-CHVCMROGRPH39e | Rear Lid Left | \$39.95 |
| ATD-CHVCMROGRPH39f | Rear Lid Right | \$39.95 |
| ATD-CHVCMROGRPH39g | Factory Spoiler Top Left - Option 1 | \$8.95 |
| ATD-CHVCMROGRPH39h | Factory Spoiler Top Right - Option 1 | \$8.95 |
| ATD-CHVCMROGRPH39i | Factory Spoiler Top Left - Option 2 | \$8.95 |
| ATD-CHVCMROGRPH39j | Factory Spoiler Top Right - Option 2 | \$8.95 |
| ATD-CHVCMROGRPH39k | Factory Spoiler Rear Left - Option 2 | \$8.95 |
| ATD-CHVCMROGRPH39l | Factory Spoiler Rear Right - Option 2 | \$8.95 |



Option 2 Rear Spoiler Top pieces splice/overlap approximately .125" (3.17mm) over Rear Spoiler Rear pieces just after the edge of the Factory Spoiler at time of installation. Thus, we suggest the installation of the Rear Spoiler Rear pieces prior to the application of the Rear Spoiler Top pieces.



autotrimdesign.com