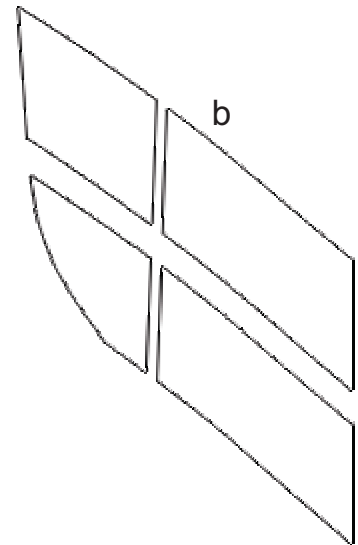
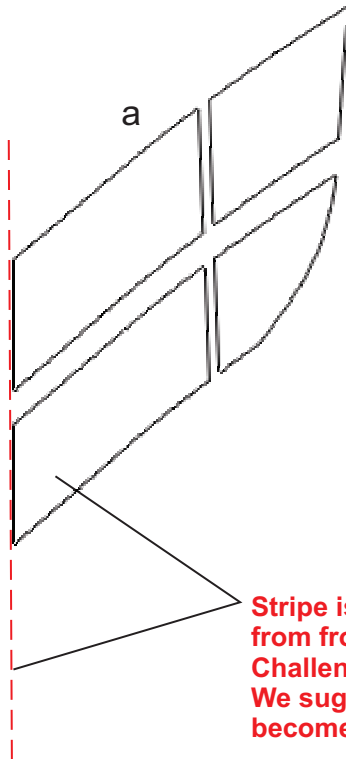


DODGE CHALLENGER

Dodge Challenger Hood Graphic Kit 2
Parts List
ATD-DDGECLGRGRPH059



**Stripe is designed to set 1.25" (31.75mm)
from front door jamb and along the
Challenger's distinct body side line.
We suggest dryfitting the piece to
become familiar with placement.**

| Part Number | Item | Cost |
|----------------------|------------|---------|
| ATD-DDGECLGRGRPH059a | Hood Left | \$47.95 |
| ATD-DDGECLGRGRPH059b | Hood Right | \$47.95 |

Auto Trim DESIGN®

autotrimdesign.com

All service marks and/or trademarks used herein are the property of the respective trademark holders; they are not used here for advertising or commercial purposes. Their use is done on a Fair Use assumption and without intent to compete with or take advantage of the trademark holder. Auto Trim DESIGN® is in no way affiliated with, sponsored by or authorized by the associated trademark holder, unless otherwise specified. Any reference related to marks is made solely for identification purposes and is not intended to create any confusion or deception in the marketplace.

Copyright 2009, Auto Trim DESIGN®.
07012008