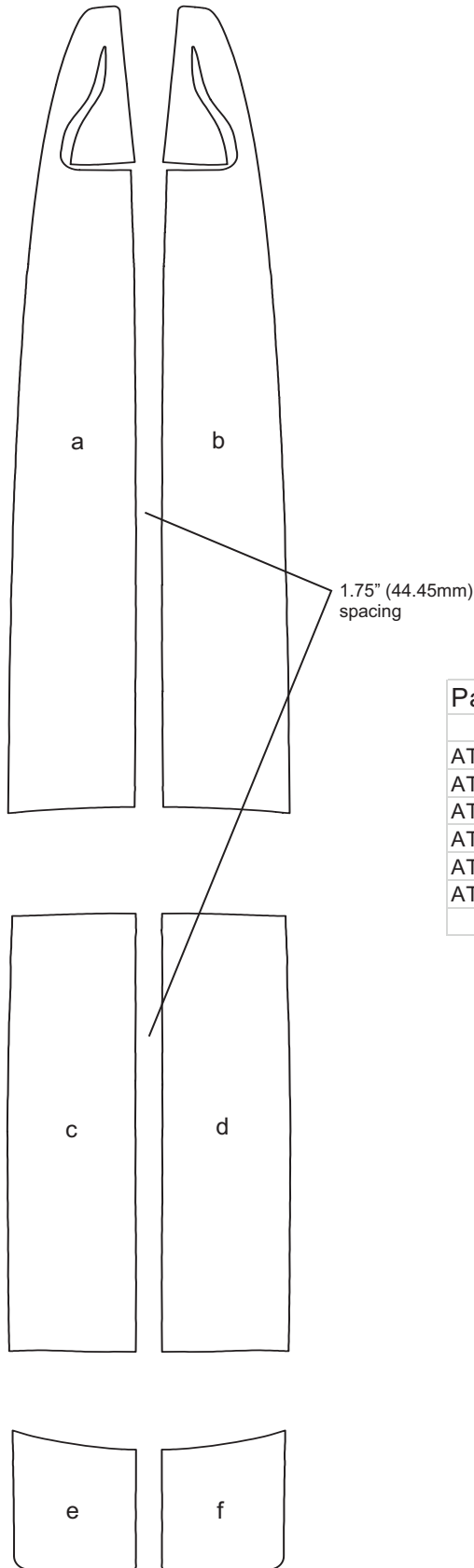


VIPER

Rally Stripe Graphic Kit 5 for SRT Viper Coupe - Parts List ATD-DDGEVPRGRPH17

Note: Spacing of Rally Stripes as shown shall be performed at time of installation. Kit does not come pre-spaced.



Part Number	Item	Cost
ATD-DDGEVPRGRPH17a	Hood Left	\$74.95
ATD-DDGEVPRGRPH17b	Hood Right	\$74.95
ATD-DDGEVPRGRPH17c	Roof Left	\$41.95
ATD-DDGEVPRGRPH17d	Roof Right	\$41.95
ATD-DDGEVPRGRPH17e	Rear Lid Top Left	\$16.95
ATD-DDGEVPRGRPH17f	Rear Lid Top Right	\$16.95

Note: Rally stripe graphics provided by the factory are generally painted on the vehicle. As such, stripes tend to bend into and out of inner areas such as Hood and Rear Lid openings. Pieces provided with this kit DO NOT lap into such areas but rather stop, with slight margin, at the end of each panel of application. Margin of vehicle paint exposure from panel edge ranges from 0.0625" (1.58mm) to 0.125" (3.175mm).



autotrimdesign.com